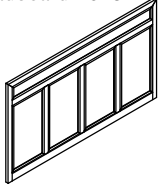
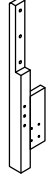

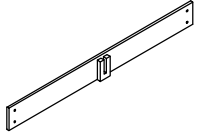







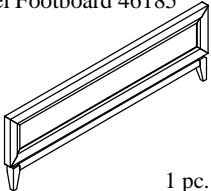
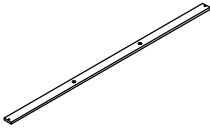
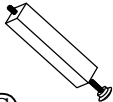
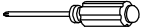
Warning :

- Be sure to check all packing material carefully for small parts, which may have come loose inside the carton during shipment.
- To prevent possible scratches and damage, this furniture **MUST BE ASSEMBLED BY TWO PEOPLE** on a soft surface such as a blanket or carpet.

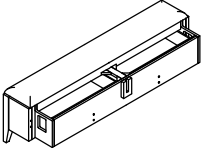
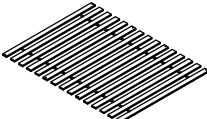
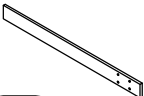
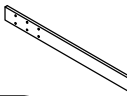







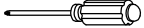
Hardware and Parts packed with the Headboard

<p>Panel Headboard 46184</p>  <p>(H-A) 1 pc.</p>	<p>Headboard Post (Left)</p>  <p>(H-B) 1 pc.</p>	<p>Headboard Post (Right)</p>  <p>(H-C) 1 pc.</p>	<p>Headboard Stretcher</p>  <p>(H-D) 1 pc.</p>	
<p>Allen Head Bolt ϕ 5/16"-18 x 1-1/2"</p>  <p>(H-E) 4 pcs.</p>	<p>Allen Head Bolt ϕ 5/16"-18 x 2-1/4"</p>  <p>(H-F) 6 pcs.</p>	<p>Spring Washer ϕ5/16"</p>  <p>(H-G) 10 pcs.</p>	<p>Flat Washer ϕ5/16" x 19*2mm</p>  <p>(H-H) 10 pcs.</p>	<p>Allen Key 5mm</p>  <p>(H-I) 1 pc.</p>

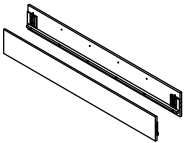



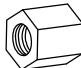


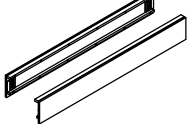



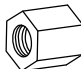


Hardware and Parts packed with the Footboard

<p>Panel Footboard 46185</p>  <p>(F-A) 1 pc.</p>	<p>Wood Slats 77" Long</p>  <p>(F-B) 4 pcs.</p>	<p>Support Leg (9-1/4" x 1-1/4" x 1-1/4")</p>  <p>(F-C) 4 pcs.</p>	<p>Wood Screw #8 x 1"</p> <p>(F-D) 8 pcs.</p>	<p>Screw Driver not included</p> 
--	--	---	---	--

Hardware and Parts packed with the Storage Footboard

<p>Storage Footboard 46183</p>  <p>(F-A1) 1 pc.</p>	<p>Wood Slat (77" x 80-3/4" x 3/4")</p>  <p>(F-B1) 1 Set.</p>	<p>Center Support Front Rails (47-1/2" x 4" x 3/4")</p>  <p>(F-C1) 1 pc.</p>	<p>Center Support Back Rails (42-3/4" x 4" x 3/4")</p>  <p>(F-C2) 1 pc.</p>	<p>Center Support Leg (13-3/4" x 1-1/2" x 1-1/2")</p>  <p>(F-D1) 1 pc.</p>	<p>Storage Support Leg (8-3/4" x 1-1/4" x 1-1/4")</p>  <p>(F-E) 2 pcs.</p>	
<p>Allen Head Bolt ϕ 5/16"-18 x 1-1/2"</p>  <p>(F-F) 6 pcs.</p>	<p>Allen Head Bolt ϕ 5/16"-18 x 2-3/4"</p>  <p>(F-G) 2 pcs.</p>	<p>Spring Washer ϕ5/16"</p>  <p>(F-H) 8 pcs.</p>	<p>Flat Washer ϕ5/16" x 19*2mm</p>  <p>(F-I) 8 pcs.</p>	<p>Allen Key 5mm</p>  <p>(F-J) 1 pc.</p>	<p>Wood Screw #8 x 1"</p> <p>(F-K) 8 pcs.</p>	<p>Screw Driver not included</p> 

Hardware and Parts packed with the Bed Rail

<p>Bed Rails 46172</p>  <p>(R-A1) 2 pcs.</p>	<p>All-Thread Bolt ϕ5/16 x 3-1/2"</p>  <p>(R-B) 8 pcs.</p>	<p>Flat Washer ϕ5/16" x 16*2mm</p>  <p>(R-C) 8 pcs.</p>	<p>Spring Washer ϕ5/16"</p>  <p>(R-D) 8 pcs.</p>	<p>Nut ϕ5/16</p>  <p>(R-E) 8 pcs.</p>	<p>Open Wrench 12mm</p>  <p>(R-F) 1 pc.</p>	<p>Allen Key 4mm</p>  <p>(R-G) 1 pc.</p>
<p>Bed Rails 46182</p>  <p>(R-A2) 2 pcs.</p>	<p>All-Thread Bolt ϕ5/16 x 3-1/2"</p>  <p>(R-B) 8 pcs.</p>	<p>Flat Washer ϕ5/16" x 16*2mm</p>  <p>(R-C) 8 pcs.</p>	<p>Spring Washer ϕ5/16"</p>  <p>(R-D) 8 pcs.</p>	<p>Nut ϕ5/16</p>  <p>(R-E) 8 pcs.</p>	<p>Open Wrench 12mm</p>  <p>(R-F) 1 pc.</p>	<p>Allen Key 4mm</p>  <p>(R-G) 1 pc.</p>

6/0-6/6 King Bed

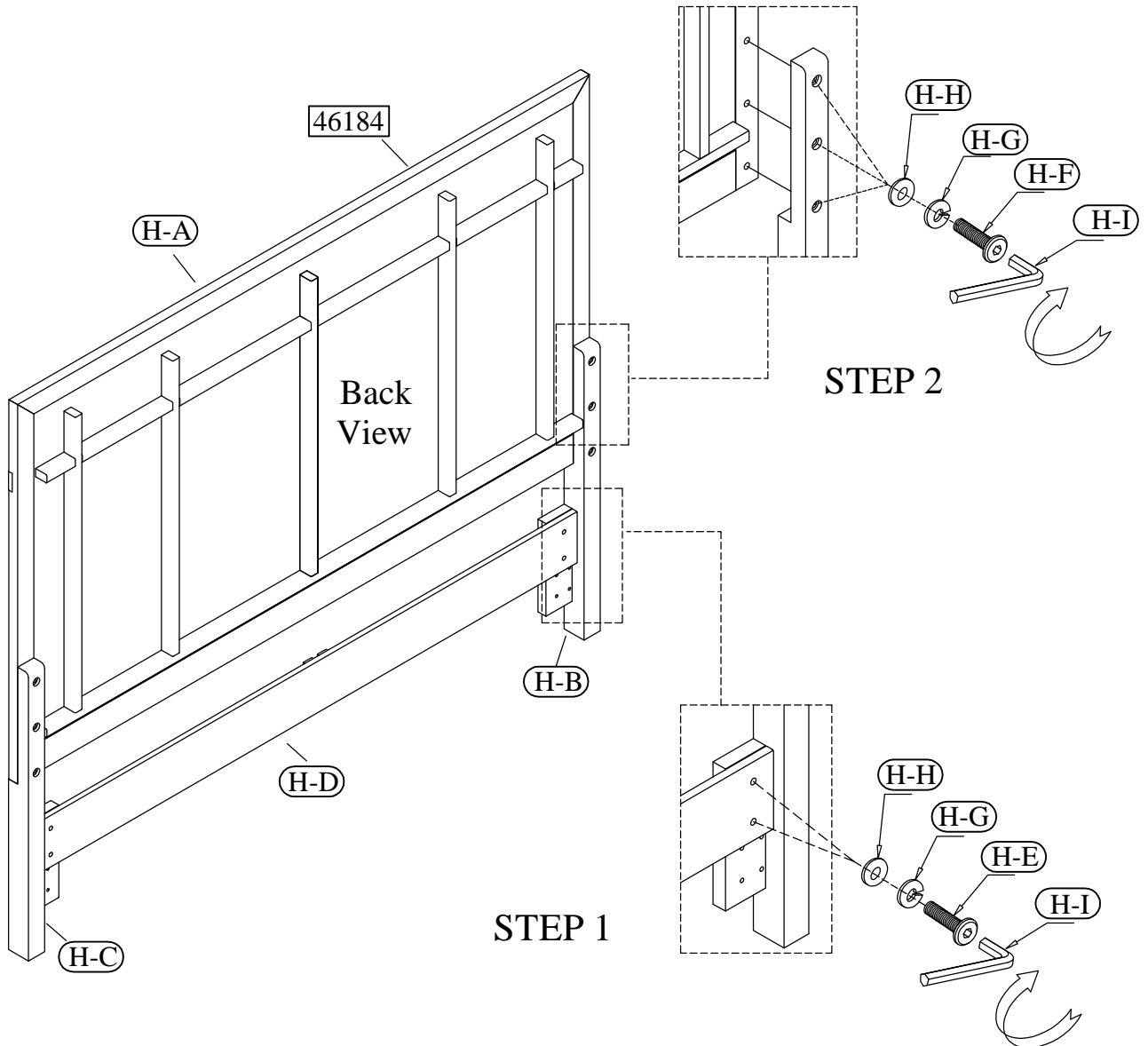
46184 --6/0-6/6 Panel Headboard

46185 --6/6 Panel Footboard

46183 -- 6/6 Uph Bench Storage Footboard

46172 --5/0-6/6 Bed Rails

46182 --6/0 Bed Rails

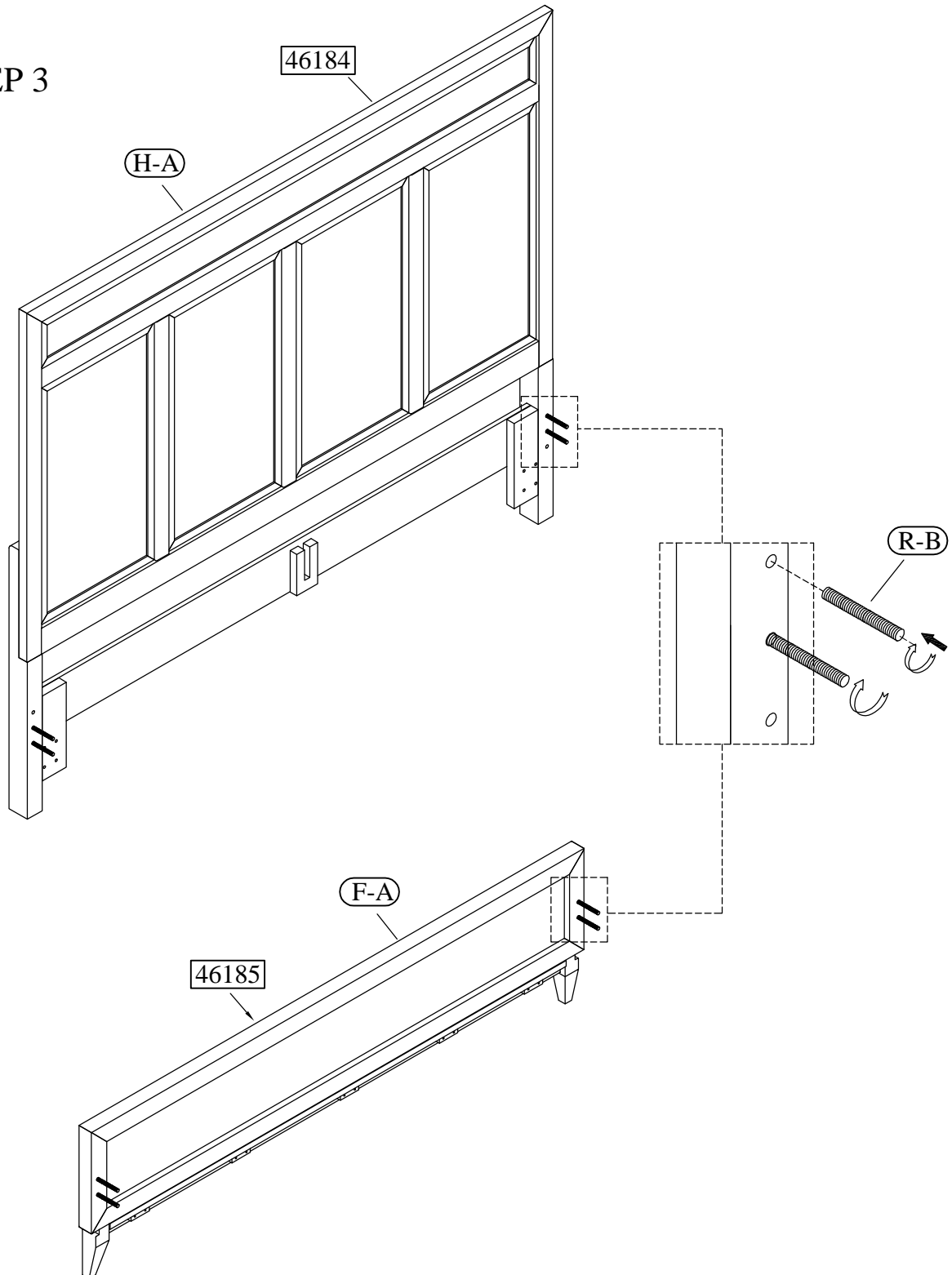


6/0-6/6 King Bed

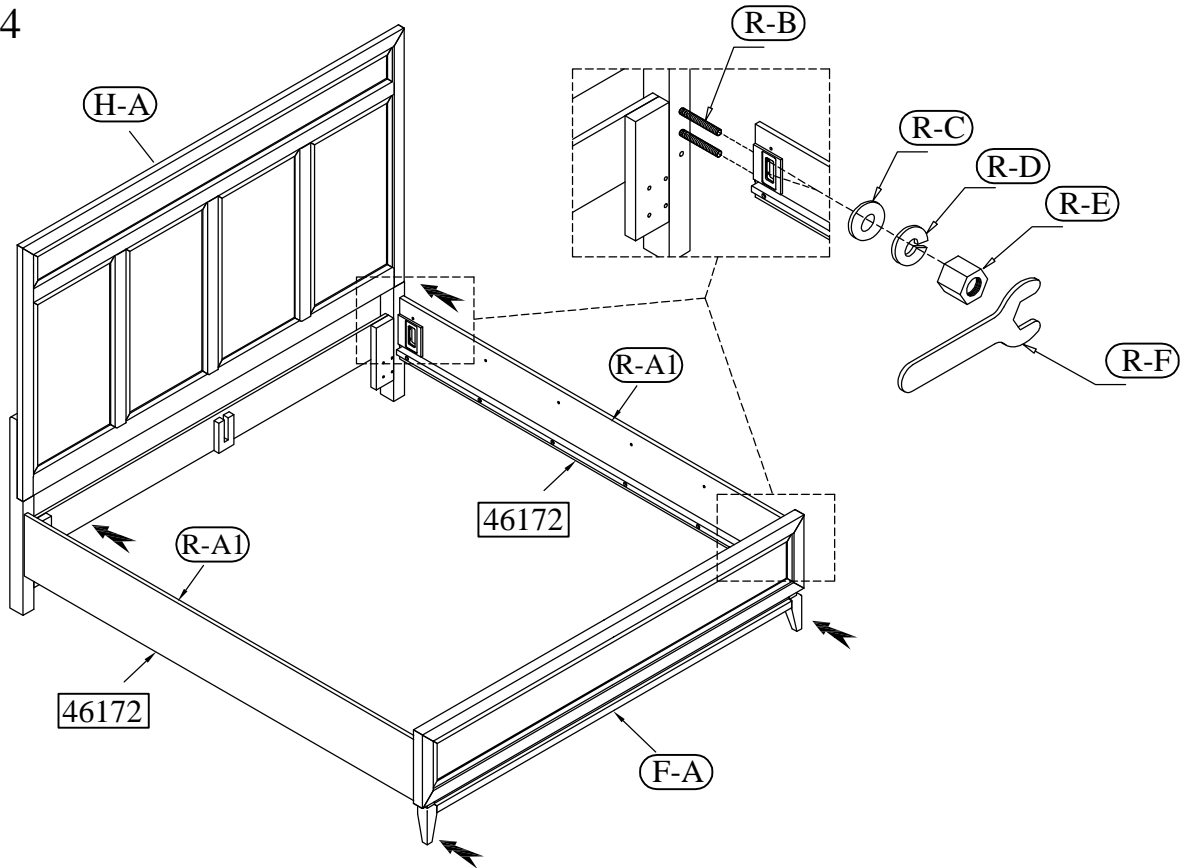
46184 --6/0-6/6 Panel Headboard

46185 --6/6 Panel Footboard

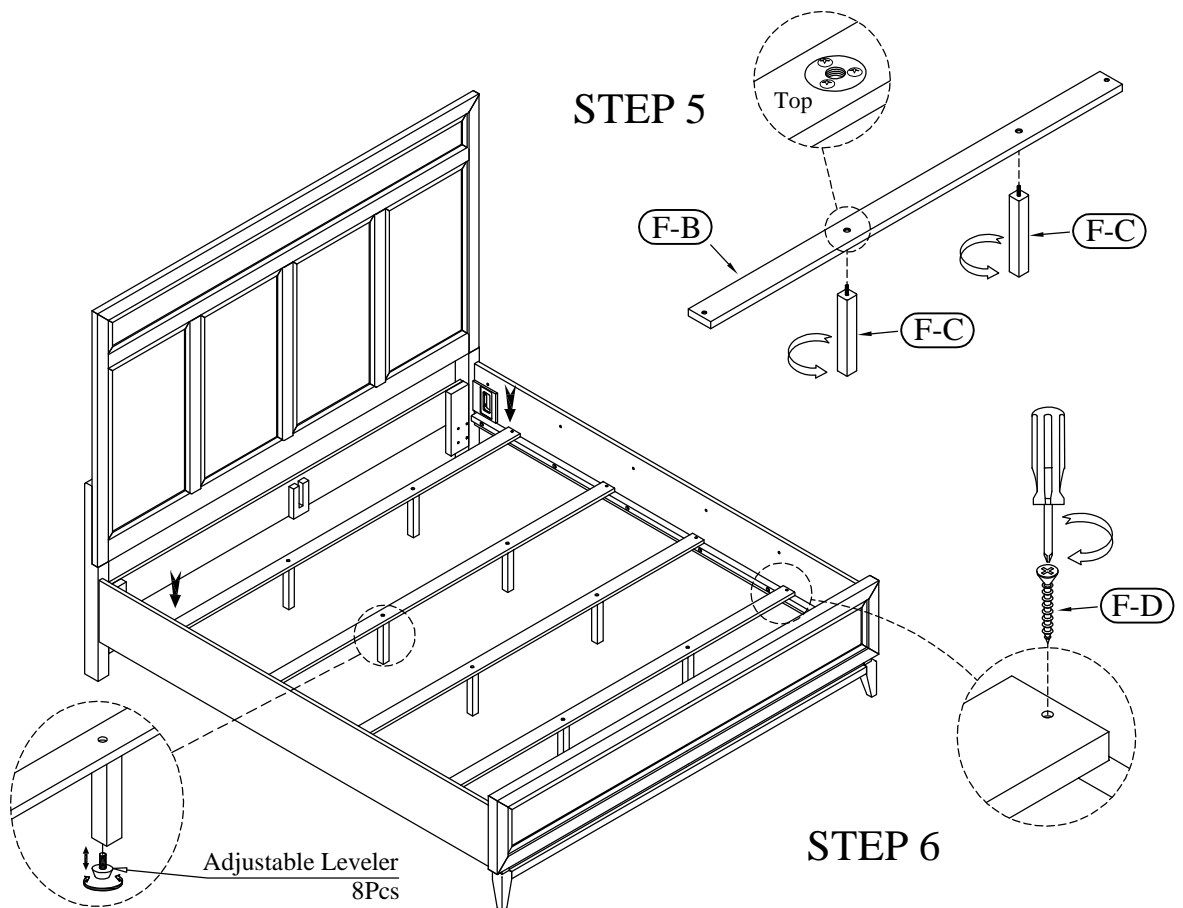
STEP 3



STEP 4

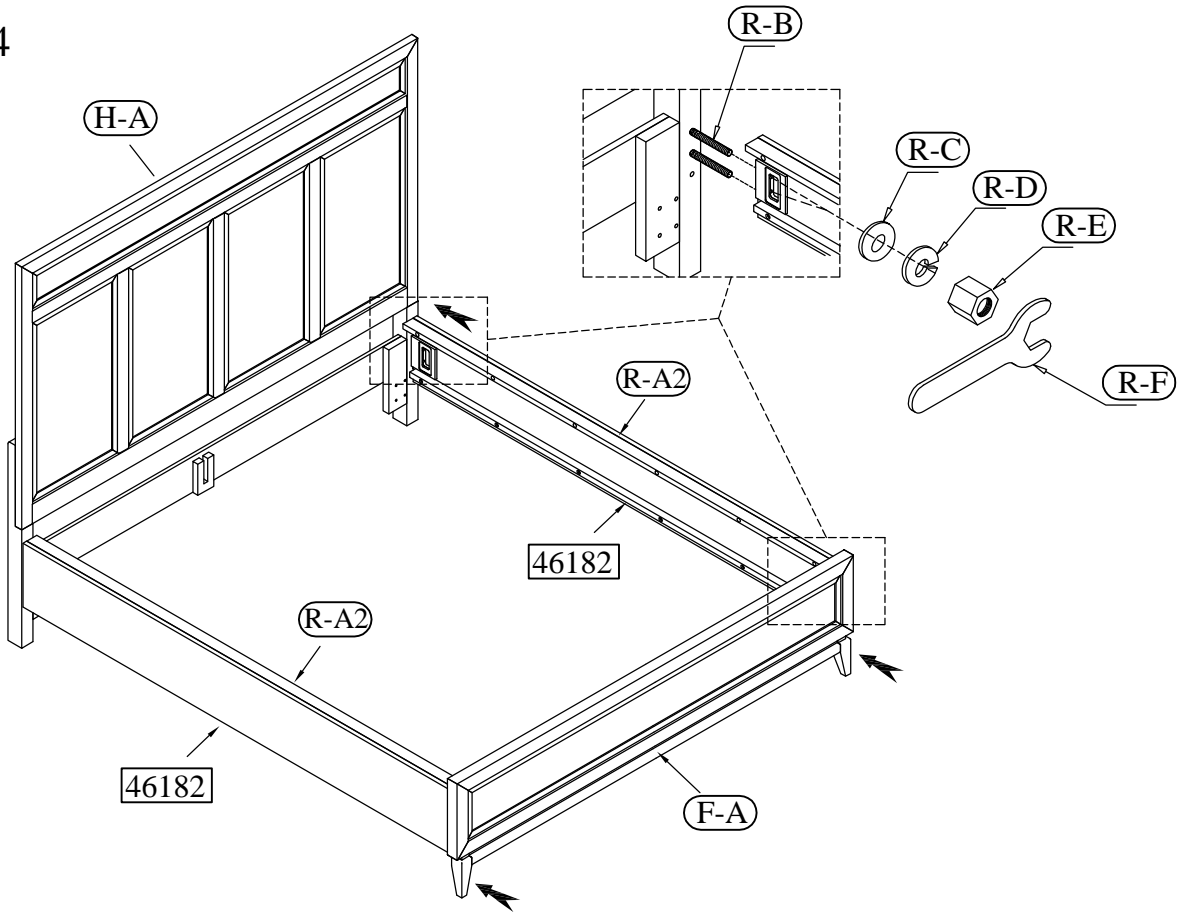


STEP 5

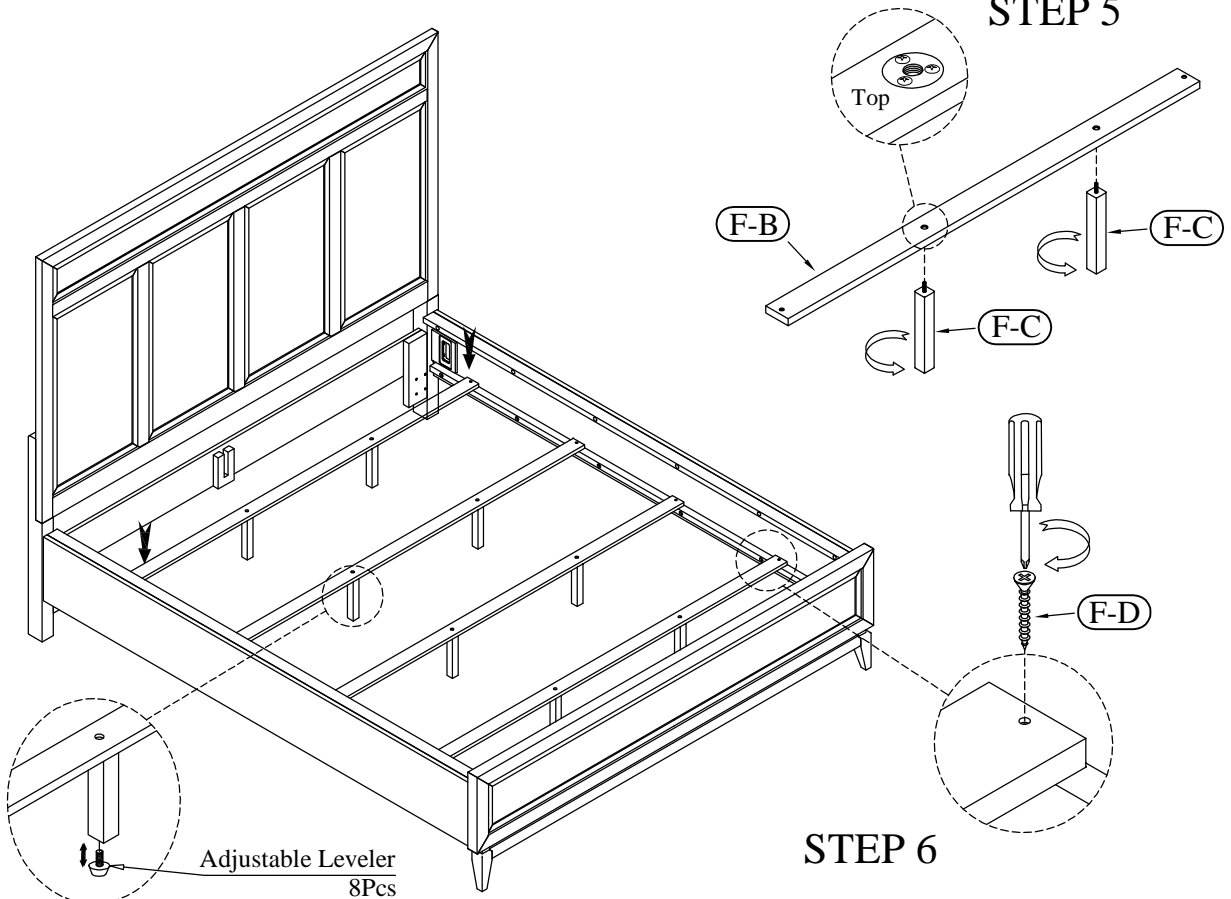


STEP 6

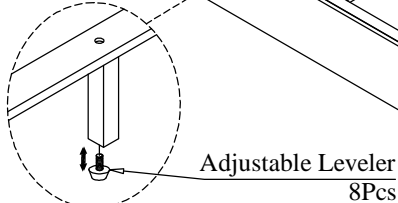
STEP 4



STEP 5



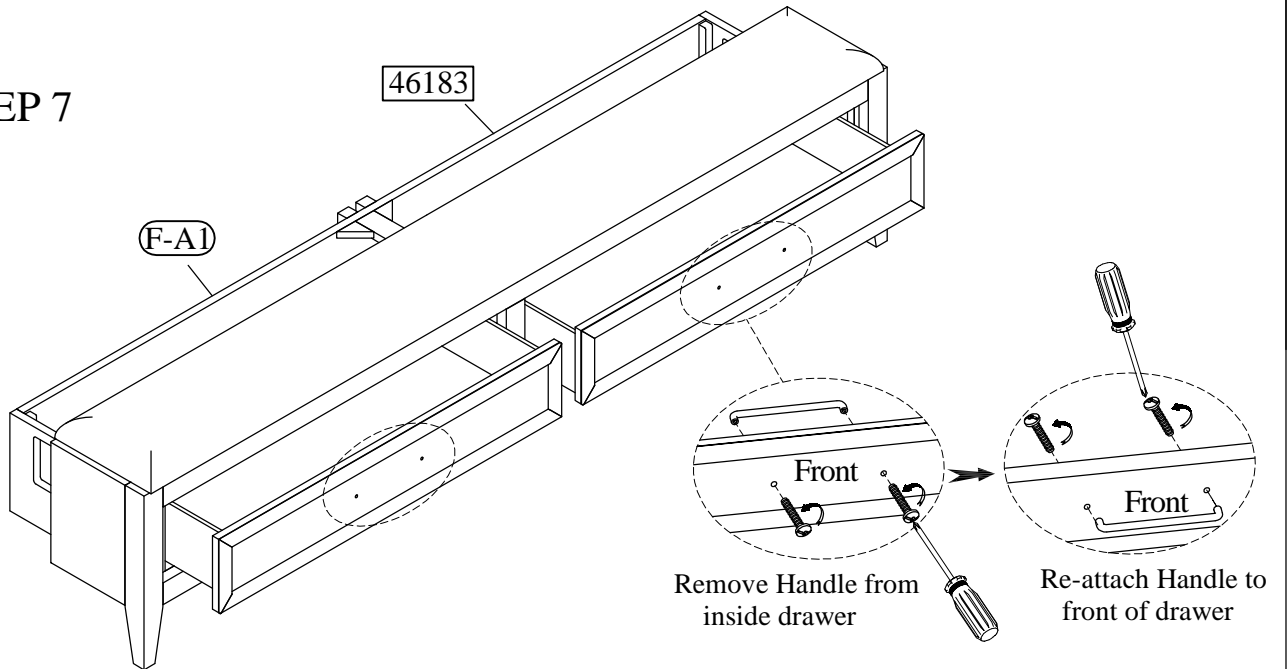
STEP 6



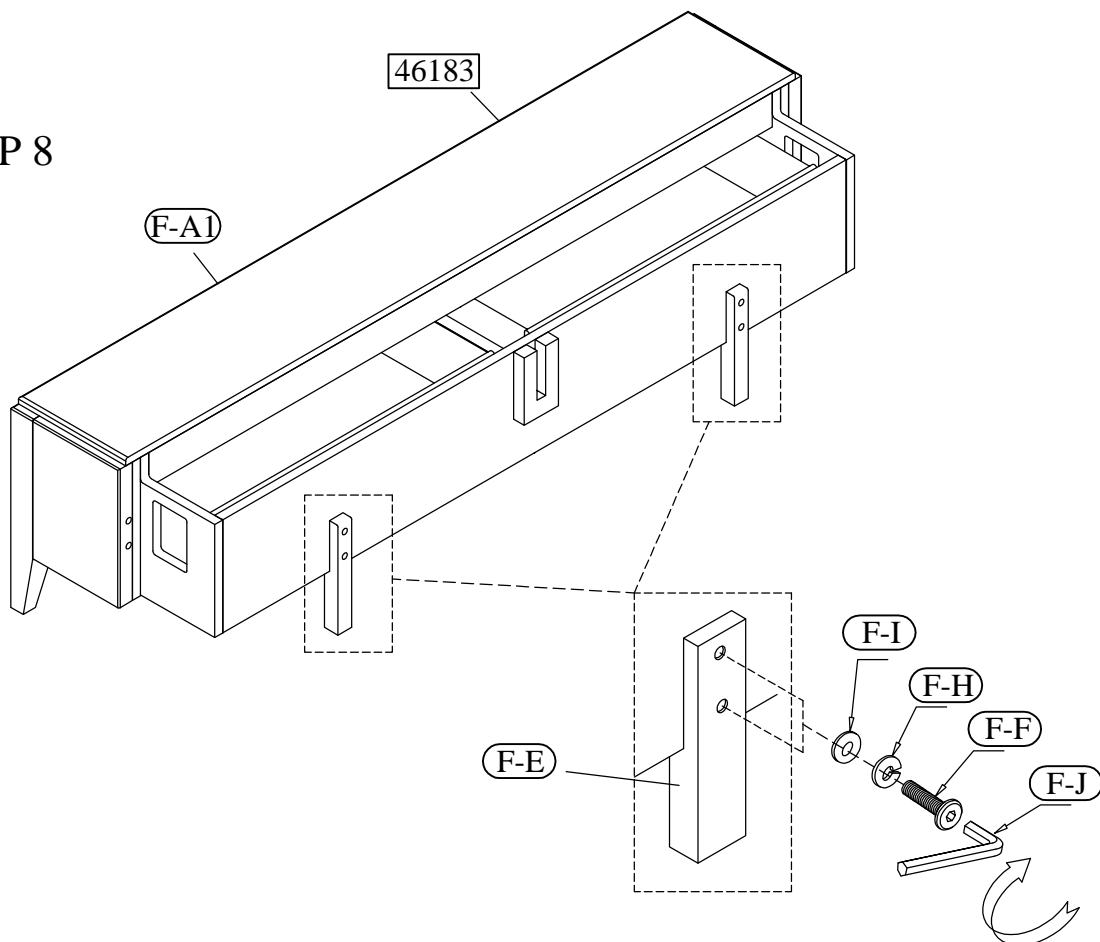
6/6 - 6/0 King Bed

46183 -- 6/6 Uph Bench Storage Footboard

STEP 7



STEP 8

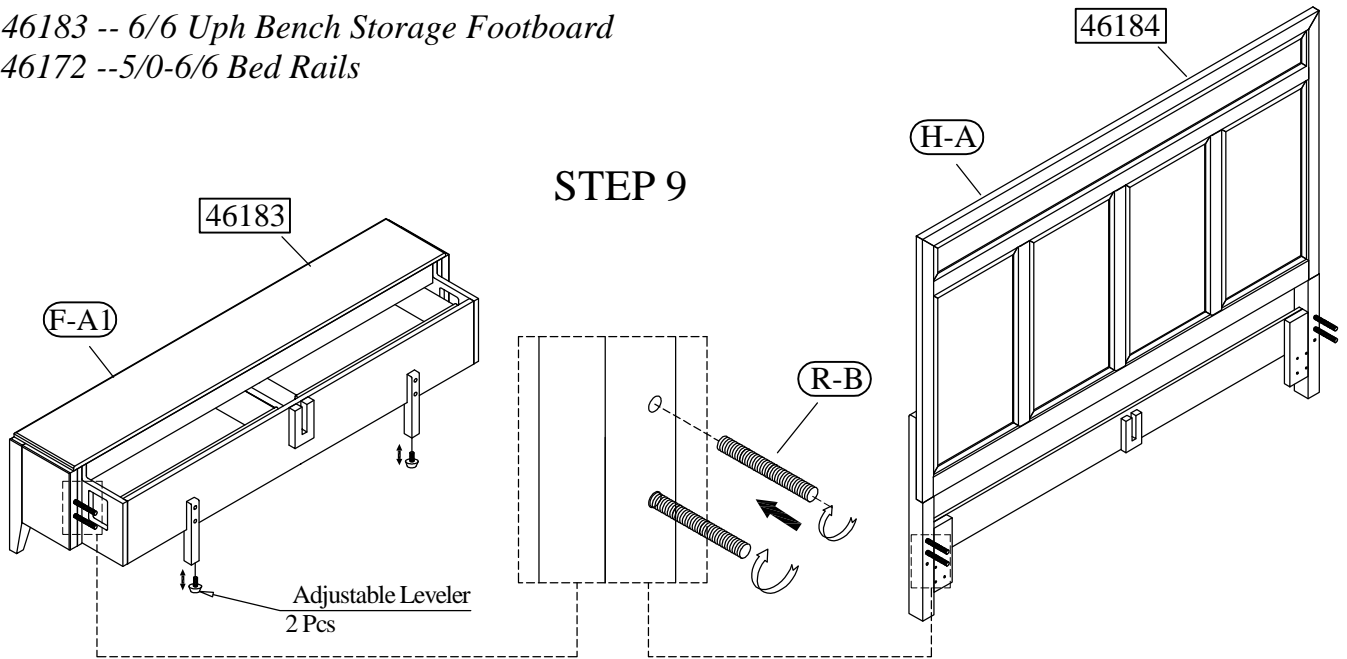


6/0-6/6 King Bed

46184 --6/0-6/6 Panel Headboard

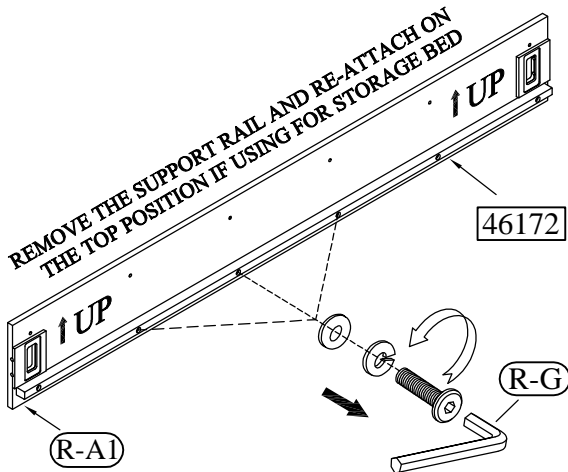
46183 -- 6/6 Uph Bench Storage Footboard

46172 --5/0-6/6 Bed Rails



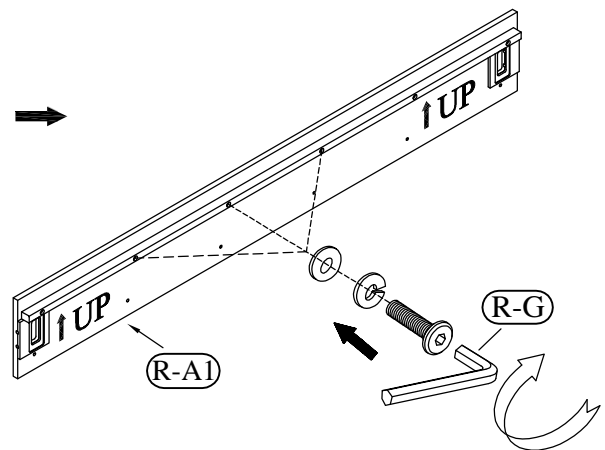
STEP 10

Remove Bolts (Ø1/4"-20 x 1-5/8")

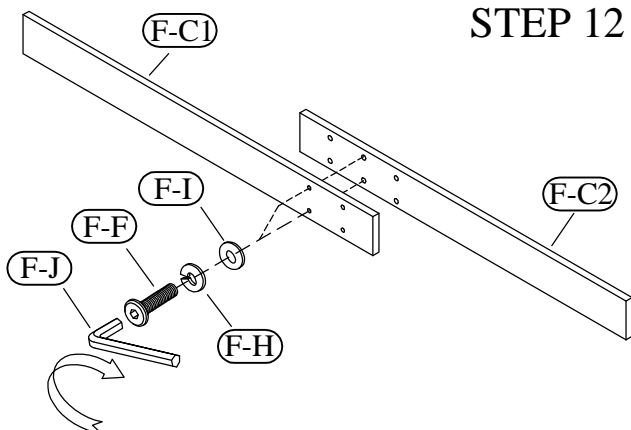


STEP 11

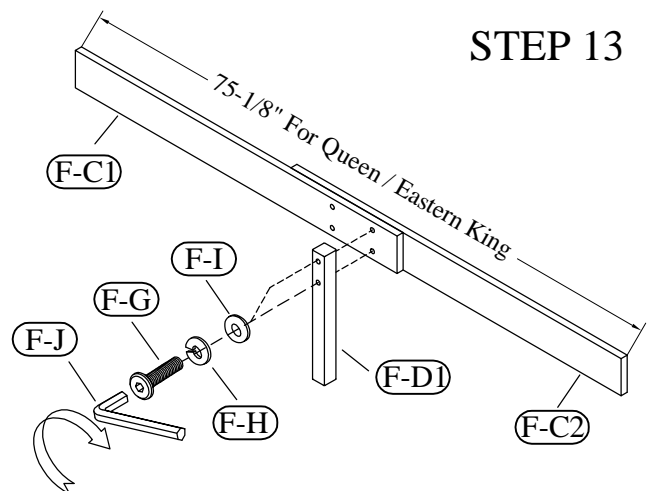
Re-Attach Bolts (Ø1/4"-20 x 1-5/8")



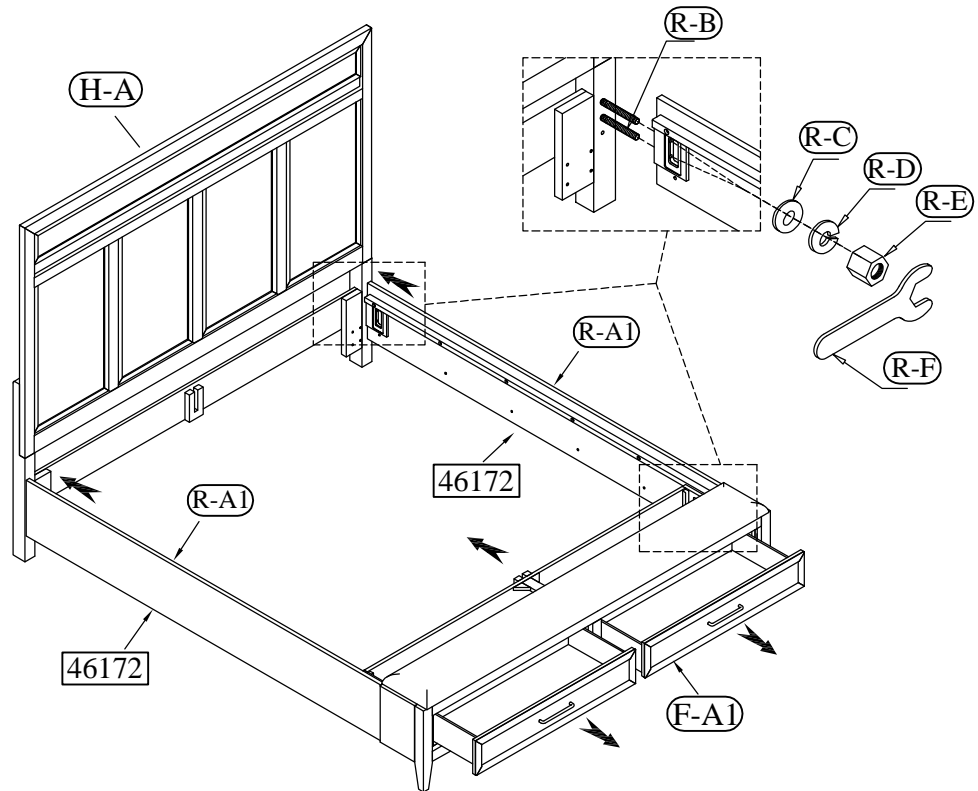
STEP 12



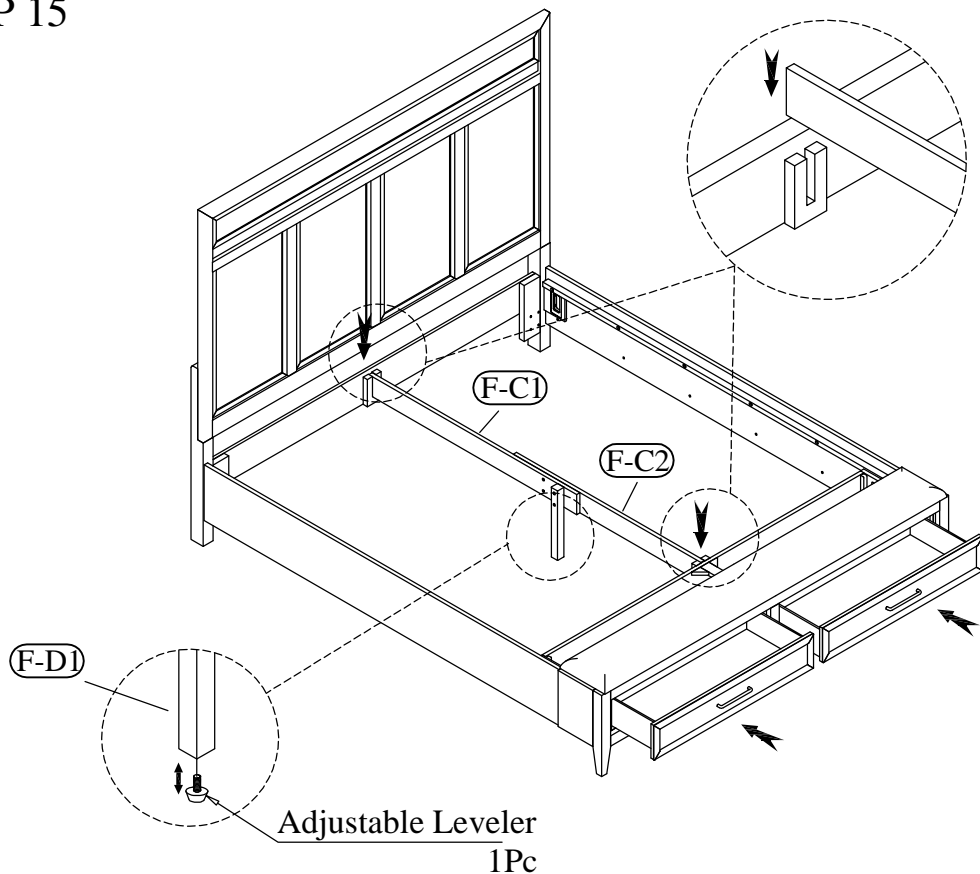
STEP 13



STEP 14



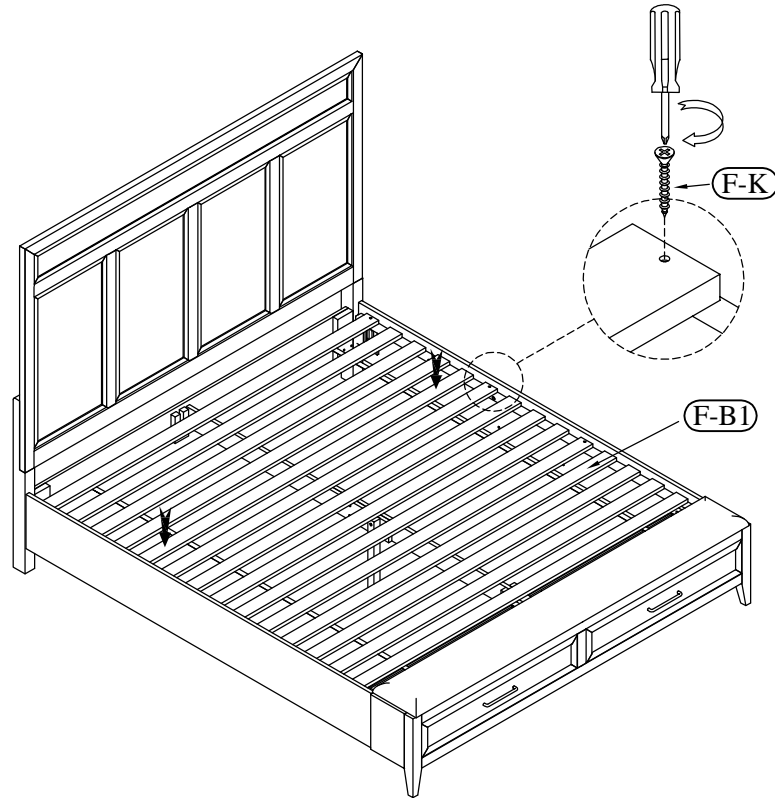
STEP 15



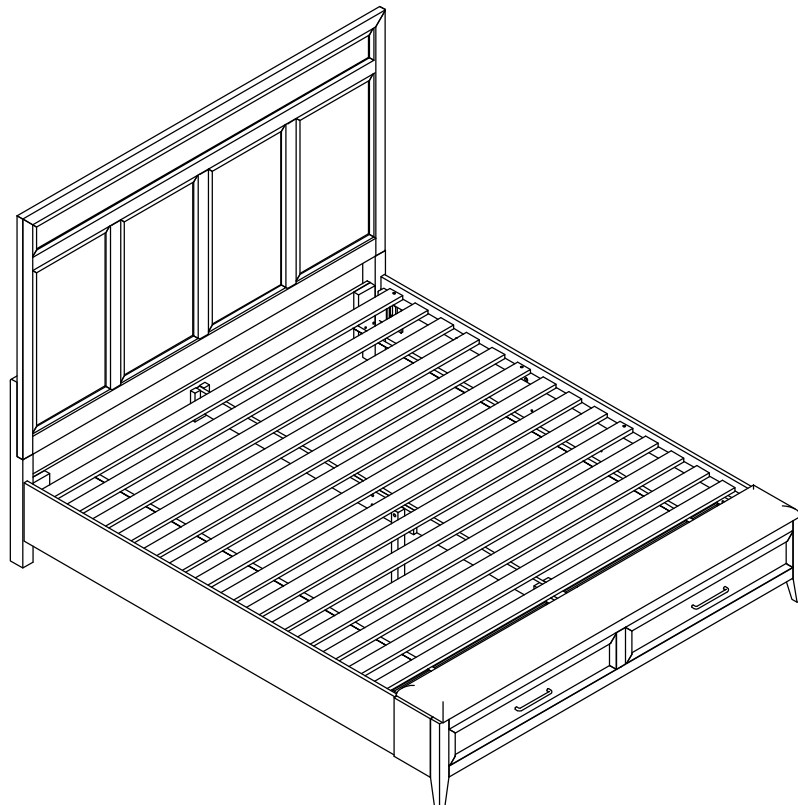
* IMPORTANT*

Must Attach Center Support to Headboard and Footboard

STEP 16



Complete

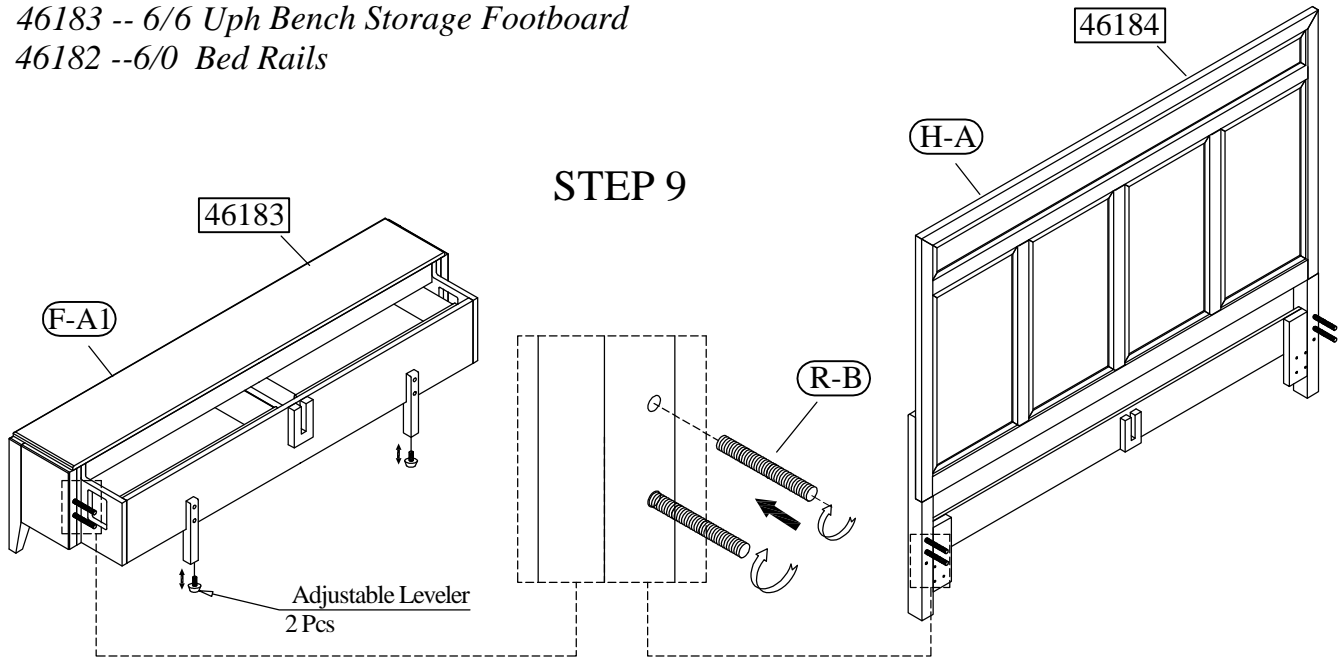


6/0-6/6 King Bed

46184 --6/0-6/6 Panel Headboard

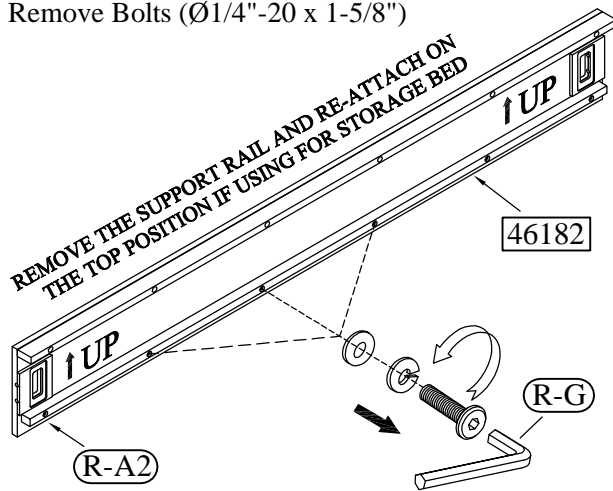
46183 -- 6/6 Uph Bench Storage Footboard

46182 --6/0 Bed Rails



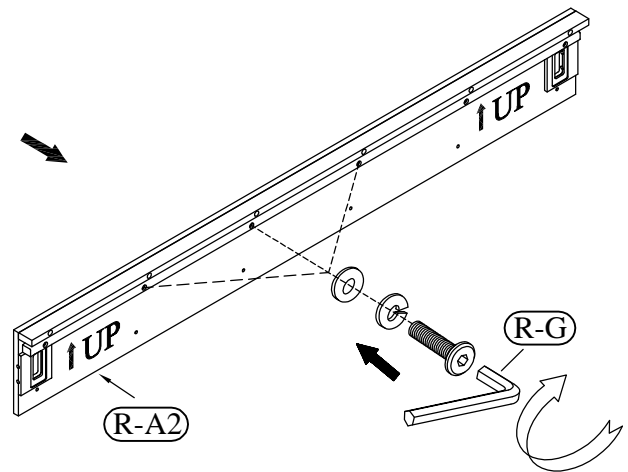
STEP 10

Remove Bolts (Ø1/4"-20 x 1-5/8")

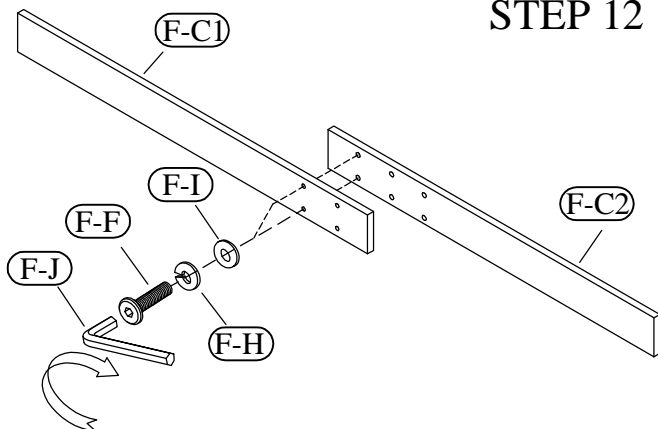


STEP 11

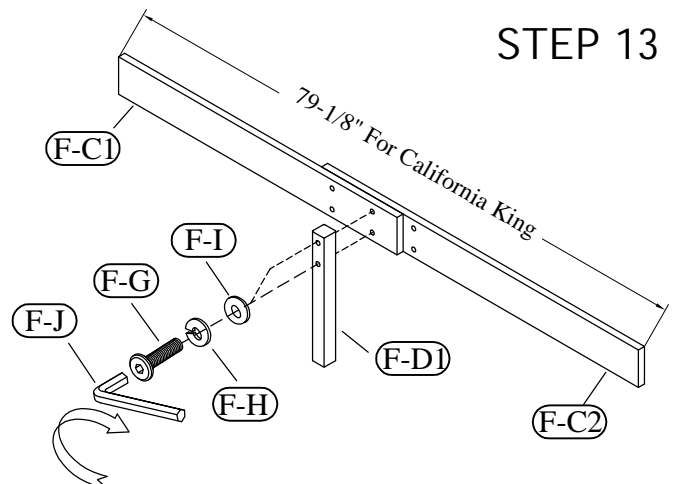
Re-Attach Bolts (Ø1/4"-20 x 1-5/8")



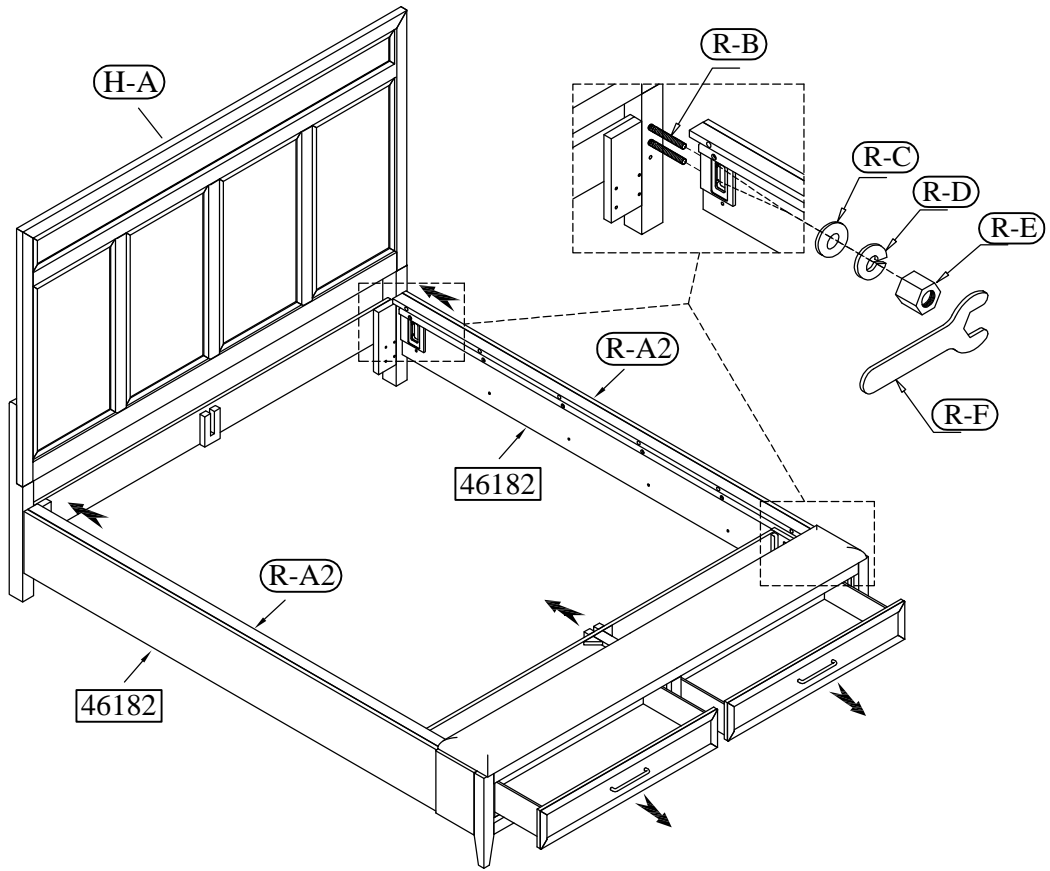
STEP 12



STEP 13

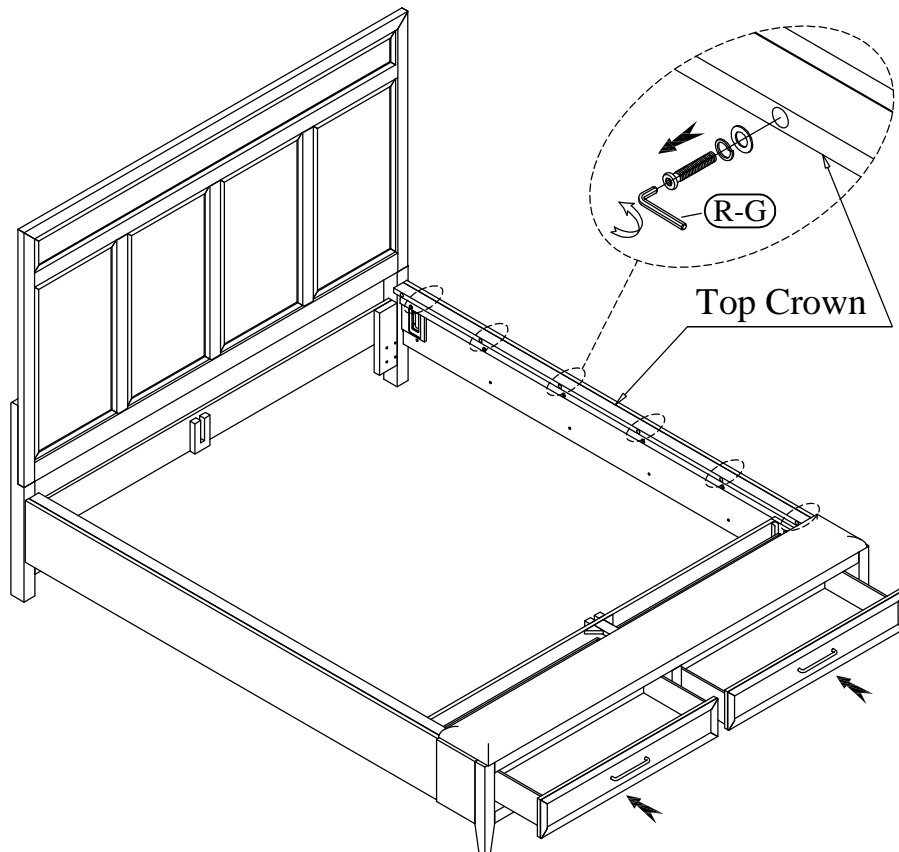


STEP 14

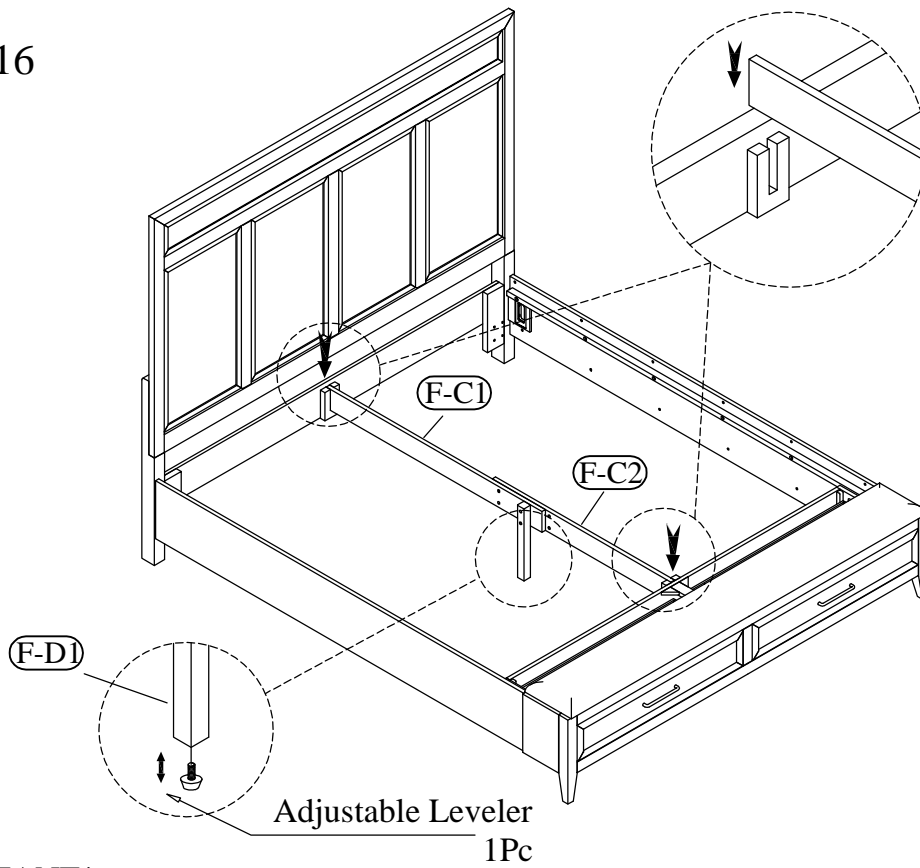


STEP 15

Remove Top Crown With Bolts ($\text{Ø}1/4''\text{-}20 \times 1\text{-}5/8''$)



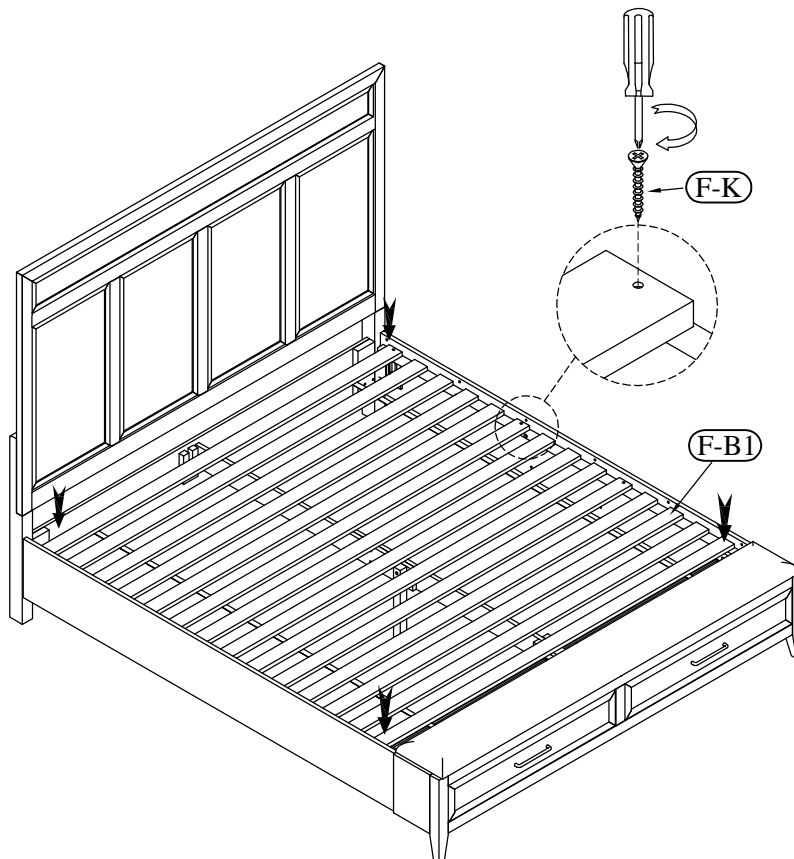
STEP 16



* IMPORTANT*

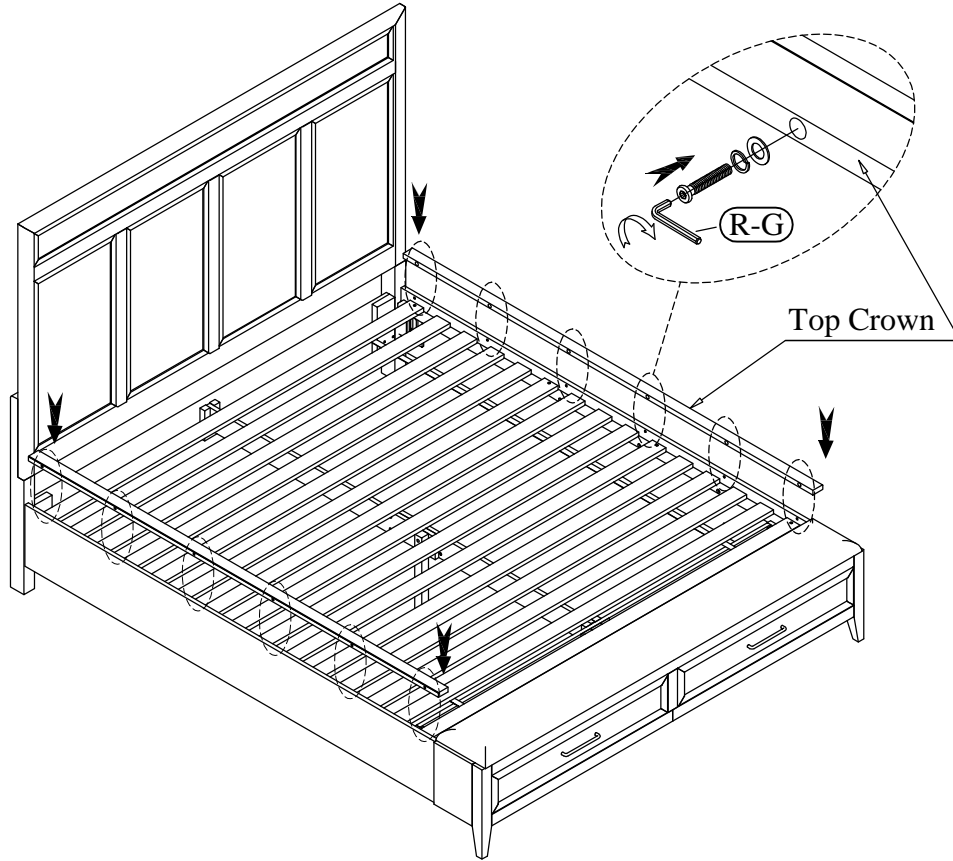
Must Attach Center Support to Headboard and Footboard

STEP 17

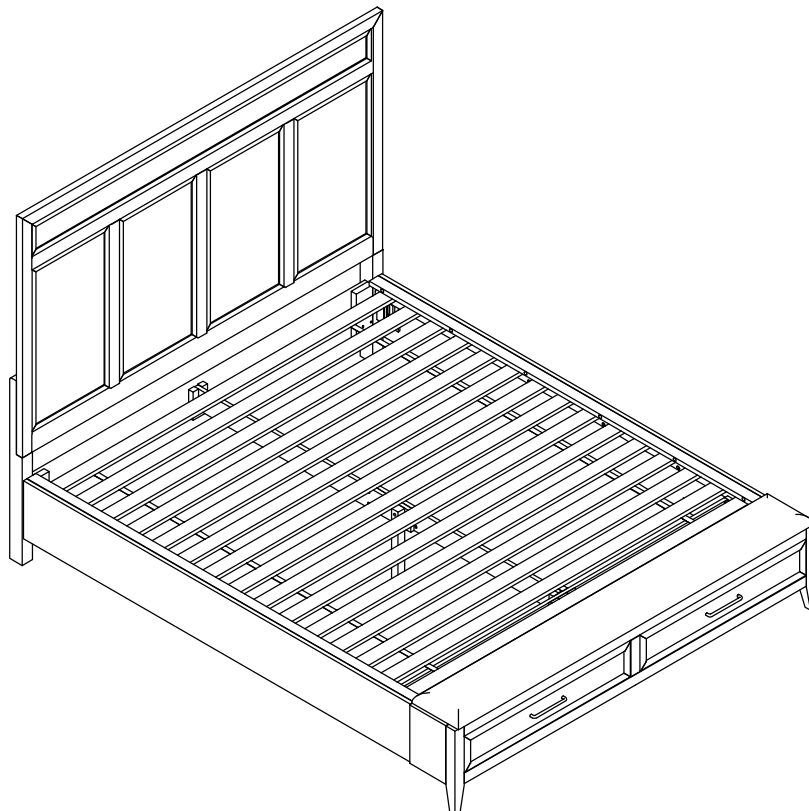


STEP 18

Re-Attach Top Crown With Bolts (Ø1/4"-20 x 2-1/4")

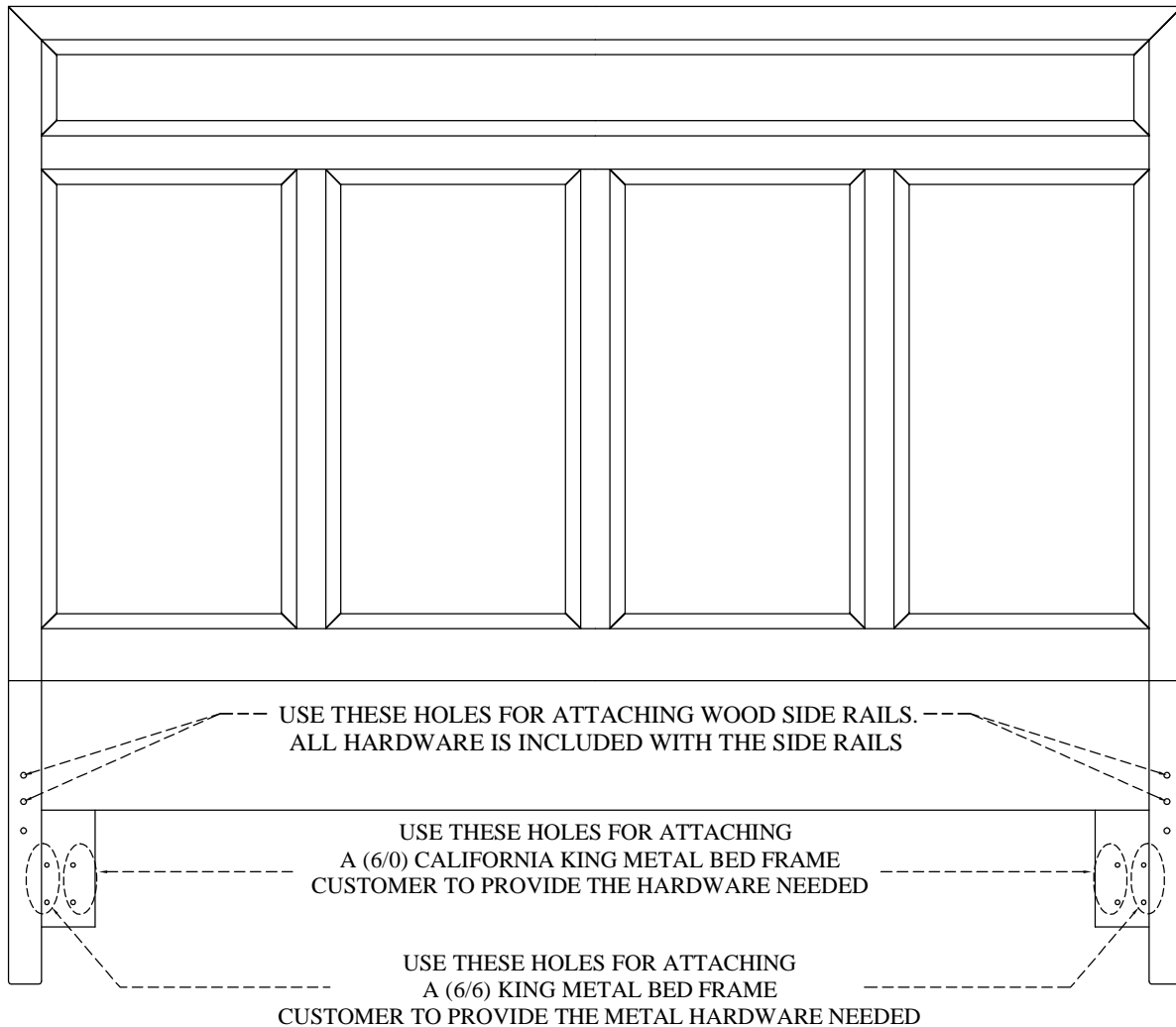


Complete



6/6 - 6/0 King Bed

46184 --6/0-6/6 Panel Headboard



6/0 - 6/6 Bed

**THE HEADBOARD MAY BE USE ALONE WITH
A CALIFORNIA KING OR A STANDARD KING
SIZE METAL BED FRAME.**